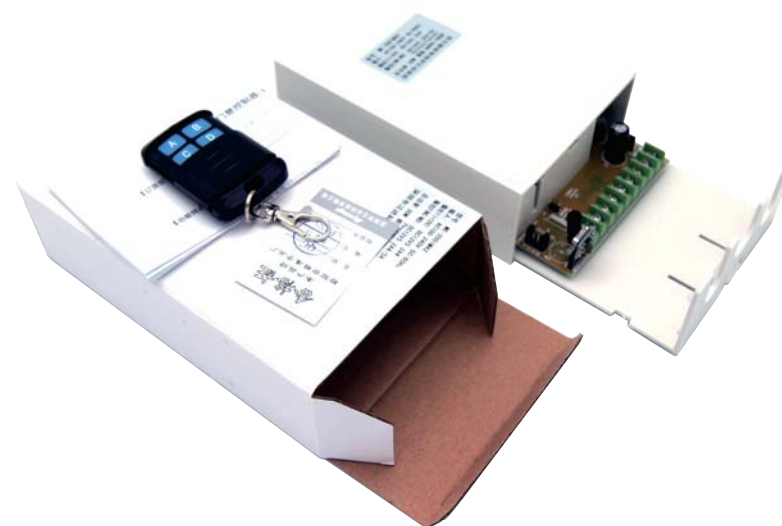


# 门禁控制器/电源使用说明

## Instruction manual for power supply controller box

版本/Version: V2.3



Technical Service Support  
技术服务13501578452



Installation wiring diagram  
安装接线图

注意：产品如有更改，恕不另行通知  
Notice: Product are subject to Change without Prior Notice

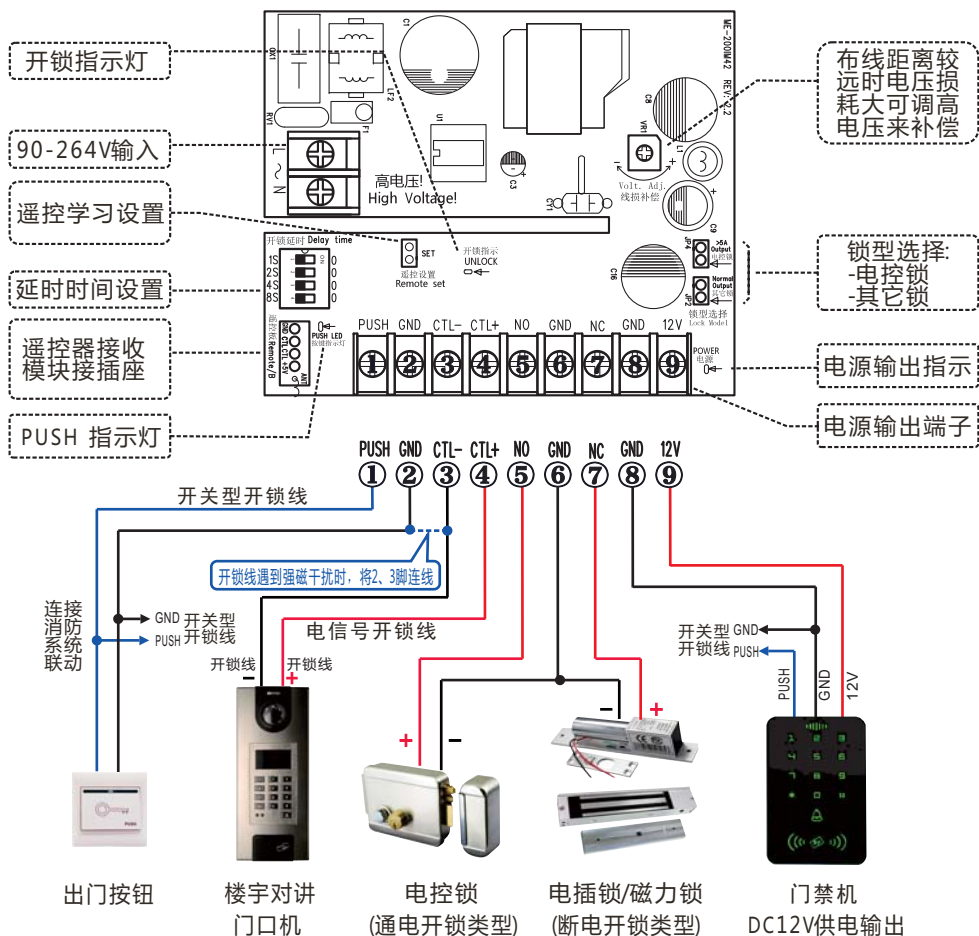
# 门禁控制器/电源使用说明 V2.3

## 【规格参数】

交流输入(L-N): AC90-264V 50-60Hz  
 直流输出(NO): 13.0V 5A(电控锁模式)  
 有源开锁(L+/-): DC3-30V 1mA 电压信号  
 电锁限流: 3A/5A模式可调  
 开锁延时: 0-15 秒可调  
 工作湿度: 20%~90%无冷凝  
 工作温度: -20℃~+55℃

直流输出(12V): DC13.0V 3.0A(可调13-15V)  
 直流输出 (NC): 13.0V 3.0A(通用锁模式)  
 无源开锁(PUSH): 常开触点开关  
 无线开关规格: 固定码433MHz/ASK调制(选配)  
 遥控器设置: 自主学习对码, 最多可设置20个遥控器(选配)  
 外箱及尺寸: 防雨水ABS箱, 170\*106\*50mm  
 安装方式: 挂墙式安装

## 【接线说明】 箱内有高压, 请断电后再安装接线和检修, 谨防触电!



## 【工作指示说明】

- 电源指示灯: DC12V输出时, 灯亮;
- 开锁指示灯: 开锁成功, 有输出时灯亮;
- PUSH指示灯: PUSH或遥控器按下有效时, 灯亮;

## 【接线输出端子】

(备注: 设计或规格如有变动,不再另行通知)

12V	电源正极 13 - 15 V (可调, 出厂设置 13 V);
GND	电源负极;
NO	与 GND 配对, 常开脚, 常态无电压; 开锁后, 闭合输出电压 12V, 延时0-15秒 (可调) 后恢复断开。用于连接“通电开锁”型的阴极锁, 如电控锁、电机锁等;
NC	与 GND 配对, 常闭脚, 常态输出 12V。开锁后, 断开无电压输出, 延时0-15秒 (可调) 后恢复输出。用于连接“断电开锁”型的阳极锁, 如磁力锁、电插锁等;
CTL+	有源开锁电压信号输入, 正极; (一般用于连接楼宇对讲门口机的开锁信号正极)
CTL-	有源开锁电压信号输入, 负极。当 CTL+ 与 CTL- 脚之间输入 DC3-30V 电压时, 可控制开锁; (一般用于连接楼宇对讲门口机的开锁信号负极)
PUSH	门禁信号输入口, 与 GND 配对, 连接开门按钮。常开型开关输入, 开关闭合, 触发开锁输出, 控制开锁开门。

## 【交流输入端子】

交流输入 (90-264V) 接线端子。

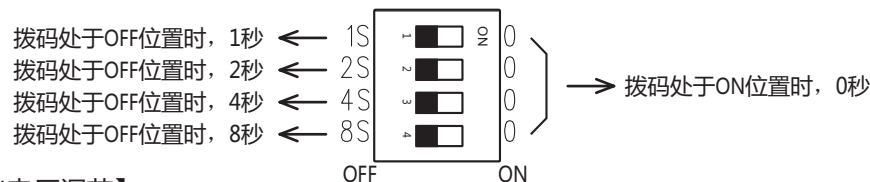
## 【锁型选择设置】

- 电控锁专用模式: 5A限流保护, 短时间、大电流开锁模式, 电控锁专用;
- 其它锁通用模式: 3A限流保护, 除电控锁以外的其它电锁类型;

## 【开锁延时设置】

有2种时间设置方式 (出厂设置为5秒):

- 开门延时时间, 由4个时间跳线帽来设置: 4个时间跳线帽分别对应设置 1、2、4、8 秒延时时间, 有跳线帽时(短接)时为0秒, 无跳线帽时(断开)时, 时间相应+1/+2/+4/+8秒, 4个跳线帽代表的时间之和就是总的开锁延时时间 (0-15秒)。
- 开门延时时间, 由4个时间拨码来设置: 4个时间拨码分别对应设置 1、2、4、8 秒延时时间, 拨码处于ON位置(短接)时为0秒, 拨码处于OFF位置(断开)时, 时间相应+1/+2/+4/+8秒, 4个拨码代表的时间之和就是总的开锁延时时间。开锁时间在0-15秒可调。



## 【输出电压调节】

调节设置旋钮, 输出电压可调设置在12-15V之间。请谨慎调节电压, 确保受电设备不损。

## 【遥控器设置】

- 1.将SET座的2只脚短接一下 (用螺丝批或镊子), 锁型指示灯一长闪亮(灭)后, 松开短路, 即进入遥控设置状态;
- 2.按遥控器的开门键, 若指示灯一长亮, 则遥控器已成功记忆到控制器中, 同时退出设置状态。
- 3.若控制器没有收到有效的遥控信号, 10秒后, 指示灯一短亮, 则遥控器自动退出设置状态。
- 4.遥控器需与控制器处于相同的频率和编码规则; 无线遥控器, 按需要数量另购;
- 5.若将SET座的2脚连续短路5秒, 期间指示灯会有2长闪亮。在第2闪亮后, 则清除所有遥控器。

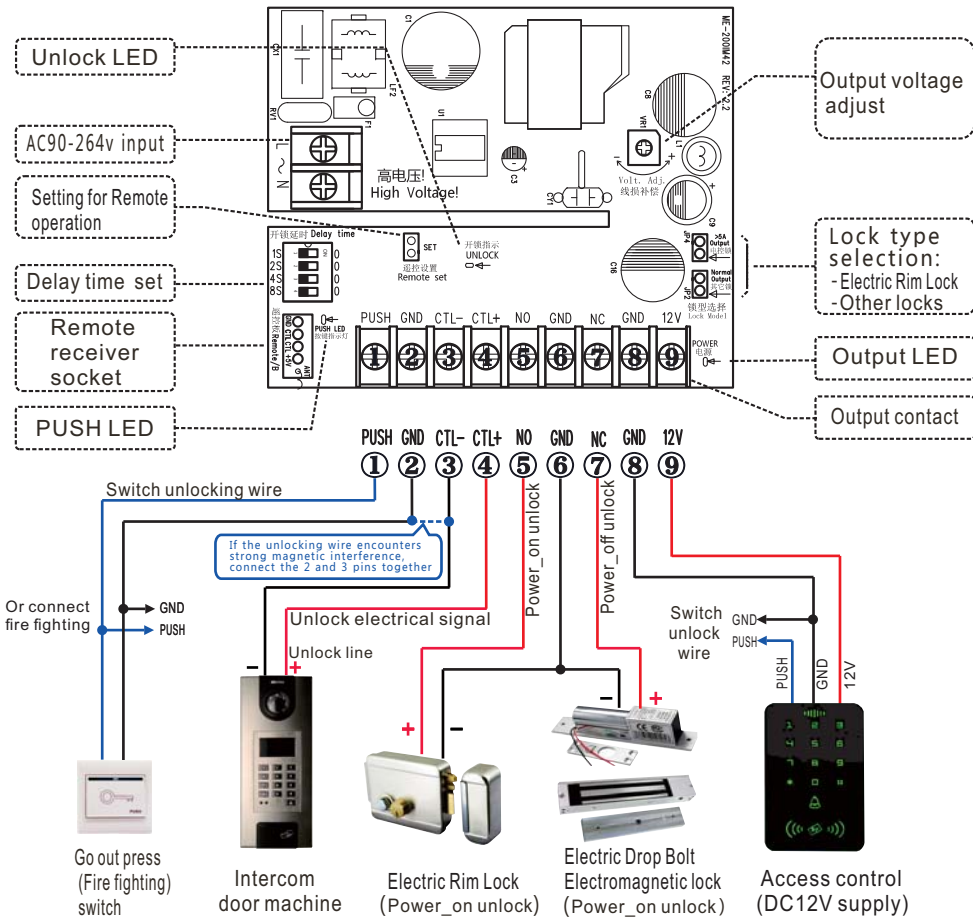
# Instruction manual for power supply controller box V2.1

## 【Specification】

Input voltage: AC90-264V 50-60Hz  
 Output (NO) : 13V 5A (Rim lock mode)  
 Unlock signal: DC3-30V 1mA  
 Lock current limiting: 3A/5A adjustable  
 Lock delay: 0-15s adjustable  
 Operating humidity: 20%-90% non-condensing  
 Operating temperature: -20~55°C

Output (12V) : DC13V/3A (adjustable 13-15V)  
 Output (NC) : 13V/3A (General lock mode)  
 PUSH switch: Normal open switch  
 Remote control: Fixed address 433MHz/ASK (For option)  
 Remote matching: Smart code matching, up to 20 controls (Buy separately)  
 Casing&Size: Rain proof ABS box,170\*106\*50mm  
 Install: Wall mount

**【Wiring instruction】** High voltage inside, danger! Please power off when install,wiring and Repair inspection.



## 【LED indicator】

- Output LED: the LED turns on when DC output 12v;
- Unlock LED: this LED turns on when in Unlock;
- PUSH LED: this LED turns on When PUSH switch or remote control is pressed effectively;

(Notice: Product are subject to Change without Prior Notice.)

## 【 Output contacts】

12V	Positive contact ,DC13-15v (adjustable);
GND	Negative contact,Power ground;
NO	Matching with GND, output 0V, but output 12V after unlocking, delay 0-15s(settable); To connect cathode lock type (unlock if power on);
NC	Matching with GND, output 12V, but output 0V after unlocking, delay 0-15s(settable); To connect anode lock type (unlock if power off);
CTL+	Unlock electrical signal, positive contact.
CTL-	Unlock electrical signal, negative.it is unlocked after input DC3-30V between CTL+ and CTL-. For example,Connecting the open Signal of intercom door machine.
PUSH	Matching with GND, Connect the push button or fire-fighting control contact. connect to the type of Normal Open switch contact.

## 【AC input】

AC90-264V input contact.

## 【Lock type selection】

- Special mode for Electric rim lock: 5A current limiting protection. High current output for a short time after unlocking, special for electric rim lock;
- General mode for Other locks: 3A current limiting protection. Other types of electric locks except electric rim lock (factory default);

## 【Lock delay】 -Two setting ways (factory default time is 5 seconds )

- Unlocking delay time,Set by four jumpers: the corresponding setting time of 4-jumpers is 1,2,4 and 8 seconds. Time is 0 second with jumper cap, corresponds to 1,2,4 and 8 seconds without jumper cap,the sum of 4-jumpers time mean the total delay time (0-15s).
- Unlocking delay time,Set by four code switches: the corresponding setting time of 4-switches is 1,2, 4 and 8 seconds. The switch in the "ON" position, for 0 seconds, when the switch in the "OFF" position, they corresponds to 1,2,4 and 8 seconds, the sum of 4 switch time mean the total delay time (0-15s).



## 【 Output voltage】

Adjusting the knob to set output voltage from 12-15v. which can be used to offset the voltage line loss and further transmission. Please adjust the voltage carefully to ensure no damage to the power receiving equipment.

## 【 Setting Remote control】

- 1.Short the 2 pins of SET with Screwdriver, the Lock type LED will turn on(or turn off) few seconds and then turn off (or turn on). Take off screwdriver. now enter remote setting mode.
- 2.Press the "unlock key" of the remote control, if the lock type LED turn on for few seconds. means the setting operation succeed and this setting was saved(memorized) in Controller box. now, auto exited setting Mode.
- 3.if no remote signal was Not well received by Controller box, in 10s. LED will turn on and auto exit setting Mode.
- 4.Remote control and Controller box are of same frequency and code. (for Remote control need purchase separately.)
- 5.if short 2pin of SET for 5seconds. during which, LED will 2 times turn on each for few seconds. and then auto delete all setting(Remote control).