



门禁控制器/电源使用说明

Instruction manual for power supply controller box

版本/Version: V2.1



Technical Service Support
技术服务13501578452



Installation wiring diagram
安装接线图V2.1

注意：产品如有更改，恕不另行通知
Notice: Product are subject to Change without Prior Notice

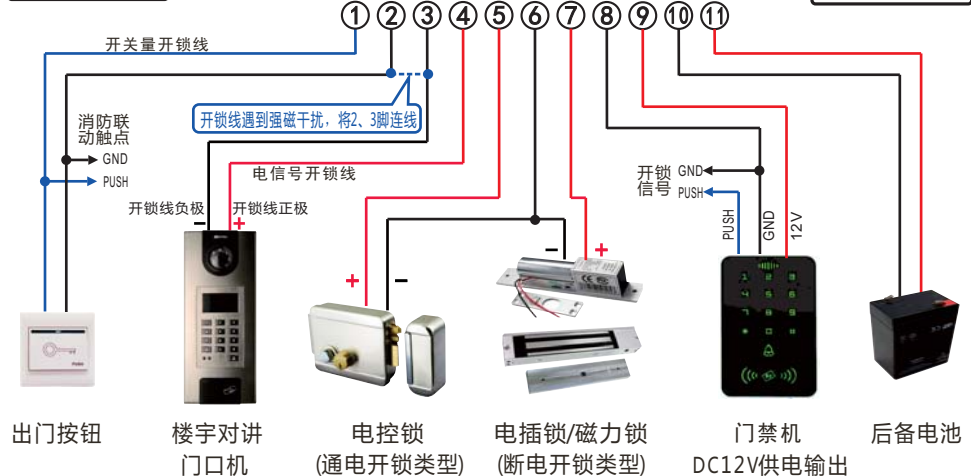
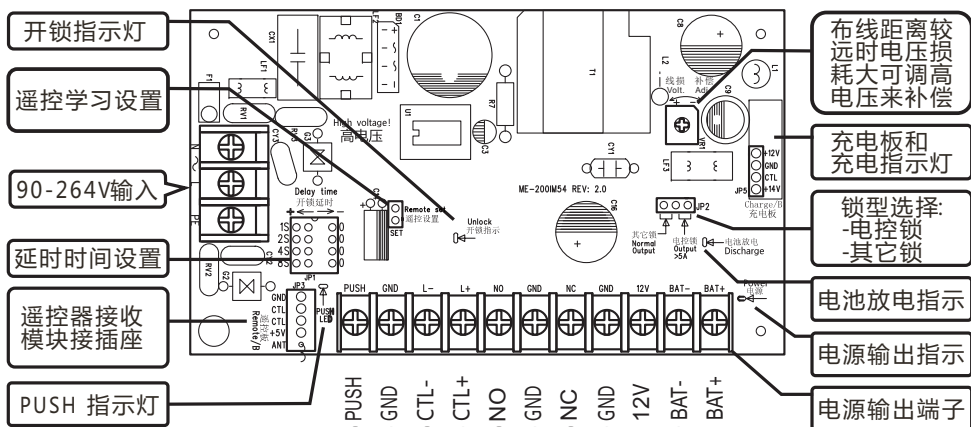
门禁控制器/电源使用说明 ME-200IM54C V2.1

【规格参数】

交流输入(L-N): AC90-264V 50-60Hz
 直流输出(NO): 13.0V 5A(电控锁模式)
 有源开锁(L+/-): DC3-30V 1mA 电压信号
 电池充电(BAT): DC13.8V 500mA
 电锁限流: 3A/5A模式可调
 开锁延时: 0-15 秒可调
 工作湿度: 20%~90%无冷凝
 工作温度: -20℃~+55℃

直流输出(NC): 13.0V 3.0A(通用锁模式)
 无源开锁(PUSH): 常开触点开关
 电池规格: 12V/7AH (尺寸15*10*7cm Max.)
 无线开关规格: 固定码433MHz/ASK调制(选配)
 遥控器设置: 自主学习对码, 最多可设置20个遥控器(选配)
 外箱及尺寸: 钣金烤漆铁箱, 206*162*78mm
 安装方式: 挂墙式安装

【接线说明】 可靠接地是安全和防雷的规范要求; 箱内有高压, 请断电后再安装和检修, 谨防触电!



【工作指示说明】

- 电源指示灯: DC12V输出时, 灯亮;
- 开锁指示灯: 开锁成功, 有输出时灯亮;
- PUSH 指示灯: 在电控锁模式下, 灯亮。
- 电池指示灯: 电池放电输出时, 灯亮;
- 充电指示灯: 电池充电时, 灯亮; 电池充满, 灯灭。

【接线输出端子】

(备注: 设计或规格如有变动,不再另行通知)

BAT+	后备电池正极;
BAT-	后备电池电源负极;
12V	电源正极 13 - 15 V (可调, 出厂设置 13 V);
GND	电源负极;
NO	与 GND 配对, 常开脚, 常态无电压; 开锁后, 闭合输出电压 12V, 延时0-15秒 (可调) 后恢复断开。用于连接“通电开锁”型的阴极锁, 如电控锁、电机锁等;
NC	与 GND 配对, 常闭脚, 常态输出 12V。开锁后, 断开无电压输出, 延时0-15秒 (可调) 后恢复输出。用于连接“断电开锁”型的阳极锁, 如磁力锁、电插锁等;
CTL+	有源开锁电压信号输入, 正极; (一般用于连接楼宇对讲门口机的开锁信号正极)
CTL-	有源开锁电压信号输入, 负极。当 CTL+ 与 CTL- 脚之间输入 DC3-30V 电压时, 可控制开锁; (一般用于连接楼宇对讲门口机的开锁信号负极)
PUSH	门禁信号输入口, 与 GND 配对, 连接开门按钮。常开型开关输入, 开关闭合, 触发开锁输出, 控制开锁开门。

【交流输入端子】

交流输入 (90-264V) 接线端子。

【锁型选设置】

- 电控锁专用模式: 5A限流保护, 短时间、大电流开锁输出模式, 电控锁专用;
- 其它锁通用模式: 3A限流保护, 除电控锁以外的其它电锁类型;

【开锁延时设置】

开门延时时间, 由4个时间拨码来设置: 4个时间拨码分别对应设置 1、2、4、8 秒延时时间, 拨码处于为ON位置(短接)时为0秒, 拨码处于OFF位置(断开)时, 时间相应+1/+2/+4/+8秒, 4个拨码代表的时间之和就是总的开锁延时时间。开锁时间在0-15秒可调 (出厂设置为5秒)。



【输出电压调节】

调节设置旋钮, 输出电压可调设置在12-15V之间。请谨慎调节电压, 确保受电设备不损坏。

【遥控器设置】

- 1.将SET座的2只脚短接一下(用螺丝批或 子), 电控锁灯一长闪亮(灭)后, 松开短路, 即进入遥控设置状态;
- 2.按遥控器的开门键, 若电控锁灯一长亮, 则遥控器已成功记忆到控制器中, 同时退出设置状态。
- 3.再次按遥控器的开门键, 若开锁指示灯亮, 表明已遥控器已设置好。
在10秒内, 若没有按下遥控器或控制器没有收到遥控信号, 控制器会自动退出设置状态。
- 4.遥控器需与控制器处于相同的频率和编码规则; 无线遥控器, 按需要数量另购;
- 5.若将SET座的2脚连续短路5秒, 期间指示灯会有2长闪亮。在第2闪亮后, 则清除所有遥控器。

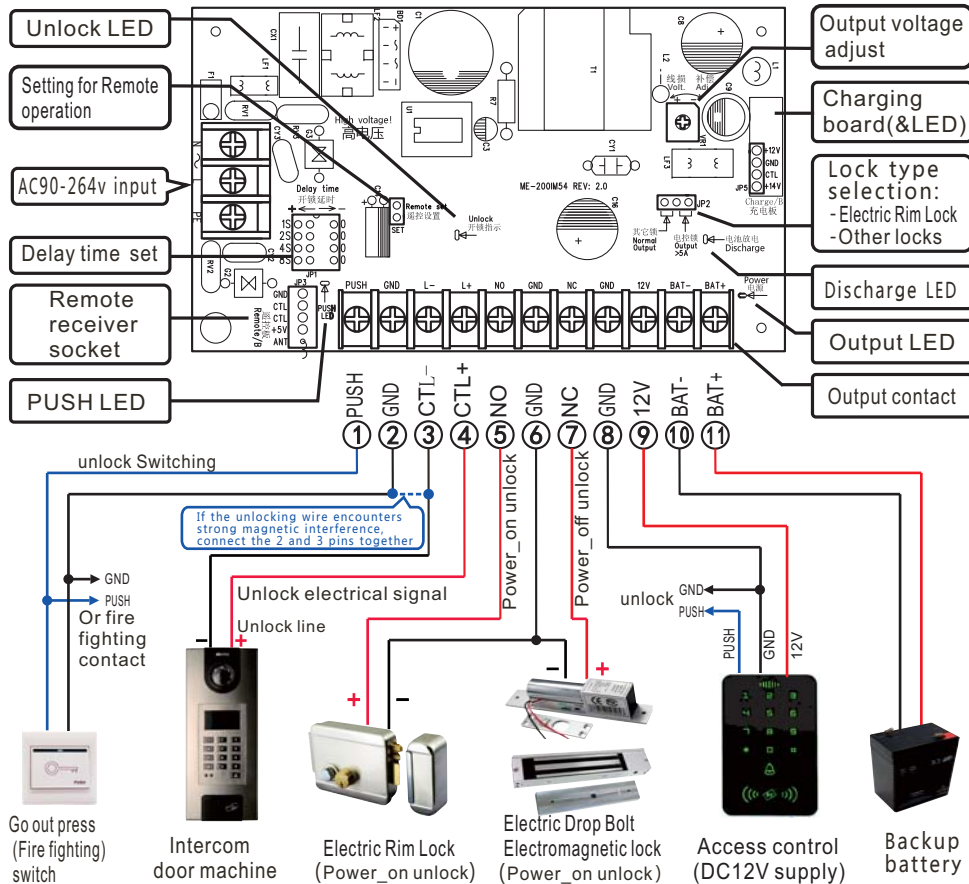
Instruction manual for power supply controller box ME-200IM54C V2.1

【Specification】

Input voltage: AC90-264V 50-60Hz
 Output (NO) : 13V 5A (Rim lock mode)
 Unlock signal: DC3-30V 1mA
 Charging (BAT): DC14.2V 500mA
 Lock current limiting: 3A/5A adjustable
 Lock delay: 0-15s adjustable
 Operating humidity: 20%-90% non-condensing
 Operating temperature: -20~55°C

Output (12V) : DC13V/3A (adjustable 13-15V)
 Output (NC) : 13V/3A (General lock mode)
 PUSH switch: Normal open switch
 Battery Specification: 12V/7 AH (Size 15*10*7cm Max.)
 Remote control: Fixed address 433MHz/ASK (For option)
 Remote matching: Smart code matching, up to 20 controls (Buy separately)
 Casing&Size: Iron box,206X162X78mm
 Install: Wall mount

【Wiring instruction】 High voltage inside, danger! Please power off when install,wiring and Repair inspection.



【LED indicator】

- Output LED: the LED turns on when DC output 12v;
- Unlock LED: this LED turns on when in Unlock;
- Discharge LED: When the battery discharges, the lamp turns on;
- Charging LED: the lamp turns on in charging; the lamp turns off after full charge.
- PUSH LED: the lamp turns on in electronic rim lock mode.

【 Output contacts】

(Notice: Product are subject to Change without Prior Notice.)

BAT+	Battery positive;
BAT-	Battery negative;
12V	Positive contact ,DC13-15v (adjustable);
GND	Negative contact,Power ground;
NO	Matching with GND, output 0V, but output 12V after unlocking, delay 0-15s(settable); To connect cathode lock type (unlock if power on);
NC	Matching with GND, output 12V, but output 0V after unlocking, delay 0-15s(settable); To connect anode lock type (unlock if power off);
CTL+	Unlock electrical signal, positive contact.
CTL-	Unlock electrical signal, negative.it is unlocked after input DC3-30V between CTL+ and CTL-. For example,Connecting the open Signal of intercom door machine.
PUSH	Matching with GND,Connect the push button or fire-fighting control contact. connect to the type of Normal Open switch contact.

【AC input】

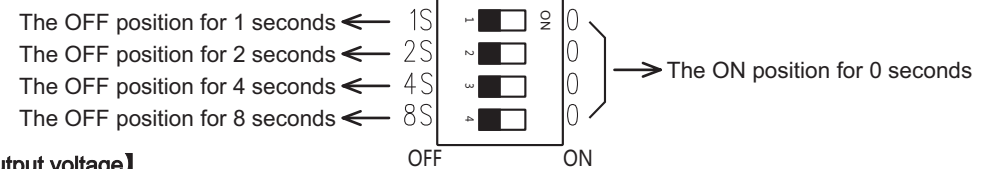
AC90-264V input contact.

【Lock type selection】

- Special mode for Electric rim lock: 5A current limiting protection, high current output for a short time after unlocking, special for electric rim lock;
- General mode for Other locks: 3A current limiting protection, Other types of electric locks except electric rim lock (factory default);

【Lock delay】

- Unlocking delay time,Set by four code switches: the corresponding setting time of 4-switchs is 1,2, 4 and 8 seconds. The switch in the "ON" position, for 0 seconds, when the switch in the "OFF" position, they corresponds to 1,2,4 and 8 seconds, the sum of 4 switch time mean the total delay time (0-15s),with factory default time is 5 seconds.



【 Output voltage】

Adjusting the knob to set output voltage from 12-15v. which can be used to offset the voltage line loss and further transmission. Please adjust the voltage carefully to ensure no damage to the power receiving equipment.

【 Setting Remote control】

- 1.Short the 2 pins of SET with Screwdriver, the PUSH LED will turn on(or turn off) few seconds and then turn off (or turn on). Take off screwdriver. now enter remote setting mode.
- 2.Press the "unlock key" of the remote control, if the PUSH LED turn on for few seconds. means the setting operation succeed and this setting was saved(memorized) in Controller box. now, auto exited setting Mode.
- 3.Press the unlock key again, if the unlock indicator of the controller box turn on, it means that the remote control has been set. If the controller box does not receive the remote signal within 10 seconds, the controller box will automatically exit the setting mode.
- 4.if short 2pin of SET for 5seconds. during which, LED will 2 times turn on each for few seconds. and then auto delete all setting(Remote control).